

PARAMOUNT CONCEPTS LTD.

Practical Innovation for HVAC

The fastest,
easiest, lowest cost,
highest quality method
to install registers
and duct.

Tel: 937.219.8552
Fax: 419.710.6768
Email:
pc@paramountconcepts.com

www.paramountconcepts.com

Paramount Concepts, Ltd.
1067 Highpoint Drive
Springboro, OH 45066

PARAMOUNT CONCEPTS LTD.

Register & Duct Installation



www.paramountconcepts.com

The Paramount H™



Situation:

Existing frames require multiple sizes, take excessive time to fit a boot into the channel then snap/button lock, can cause cuts (lost time & workers comp), can come apart or twist out of shape, and do not provide a secure connection for the diffuser/grille.

Solution:

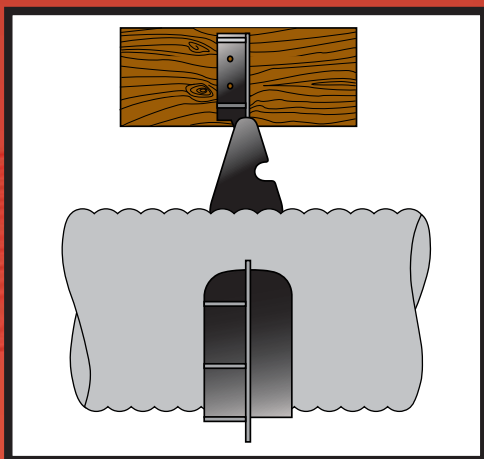
The Paramount H™ is an adjustable frame designed to offer the fastest, easiest, lowest cost, and highest quality method for register installation.

Benefits:

- Fast, easy installation of overhead registers – fits joist spacing from 16” to 24” on center.
- Adjustable slider – fits 4 x 8/10/12/14 or 6 x 8/10/12/14 – fewer parts to stock, always have the right frame for the job.
- Inside perimeter edge for smooth, accurate dry wall cut with self-threading / non-strip mounts to secure diffuser/grille to frame.
- Rugged plastic material is heat, cold, and UV resistant.
- Better quality at lower cost with no condensation, rattles, injuries, or loose grilles.

See our product videos at www.paramountconceptsLtd.com

The Paramount J™



Situation:

Existing duct hanging methods are labor intensive and cause crimps in the duct that compromise airflow and compress insulation.

Solution:

The Paramount J™ allows one person to quickly and easily install flexible duct and insulated metal pipe while providing solid support that eliminates crimps and compression.

Benefits:

- The fastest, easiest way to hang flexible duct – one person pre-hangs J hangers every 5’ on the joist, then places the flexduct into each hanger.
- 3” wide saddle provides superior support to eliminate crimping, compression, and airflow loss – no more failed inspections and re-hanging costs.
- 10” span supports all common supply size flexduct (4” – 8”) in just one hanger.
- Versatile hanger can be used for many applications including insulated metal pipe and spiral pipe.
- Total job cost is lower than other hanging methods.